



8 CHANNEL PROCESS SCANNER AND MODBUS FACILITY

MS-L14-M1

APPLICATIONS

Pharma & Chemical Industry application

Generator
Monitoring & Protection

Remote terminal unit (RTU) For SCADA

Compressor/Pump/DG set monitoring

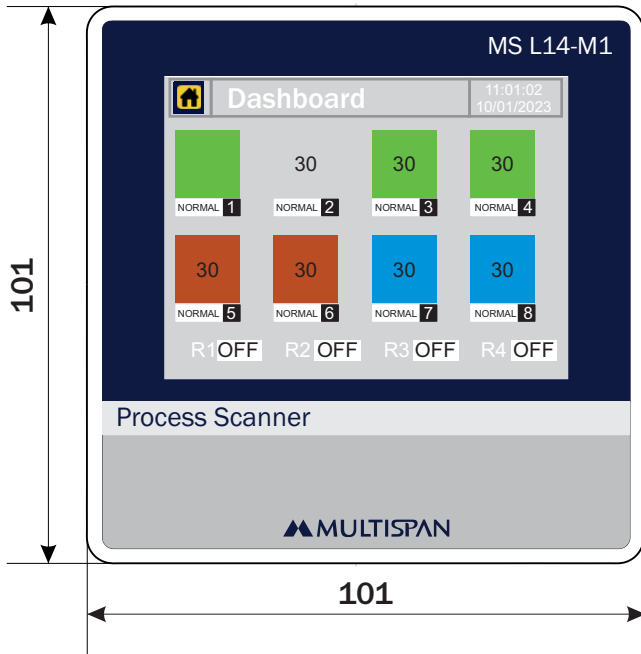
Machine Condition Monitoring

As a distributed I/O module
for interface with PLC/DCS/SCADA

Laboratory Equipment Monitoring

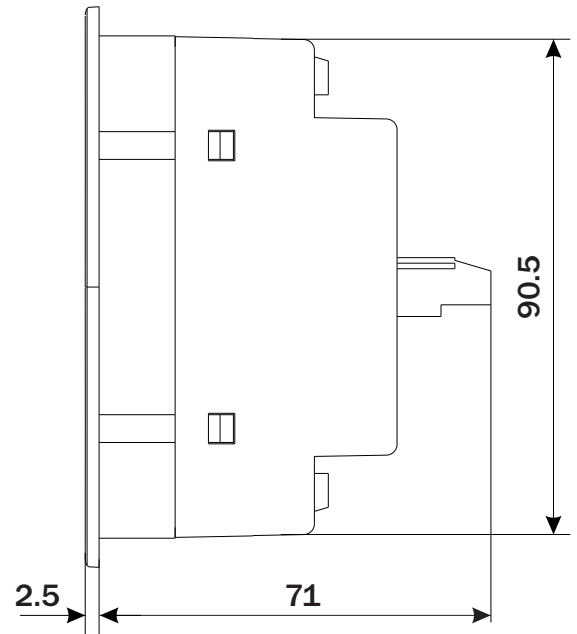
Mechanical Dimensions

Body Dimensions



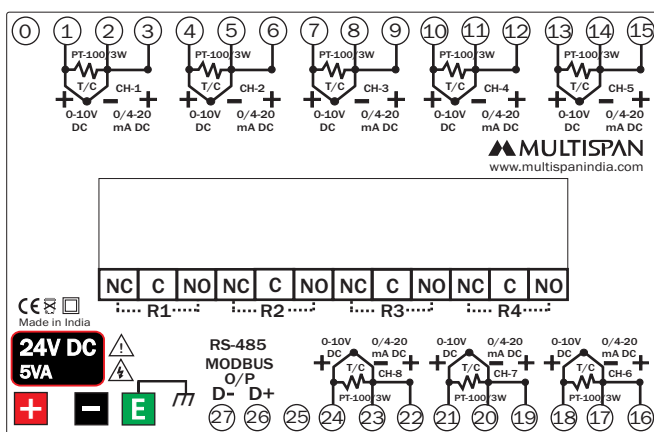
FRONT VIEW

All dimensions are in mm

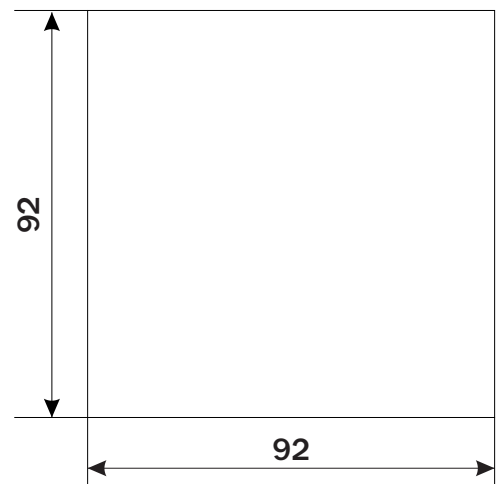


RIGHT SIDE VIEW


Connection Diagram



Panel Cutout



TECHNICAL DATA

Input	Thermocouple	J / K (Configurable)
	RTD	PT-100 3 Wire / 2 Wire (Configurable)
	Analog	0-10V DC/ 0-20mA DC/ 4-20mA DC (Configurable)
Range	Thermocouple	J: 0 to 600°C , K: 0 to 1200°C
	RTD	PT-100: -99°C to 400°C , PT.1: -99.9°C to 400.0°C
	Analog	-999 to 9999
Output	Output 1	4 Relay With Grouping Facility
	Output 2	RS 485 MODBUS Communication
Accuracy		± 1 % FSD
Power Supply		24V DC , 50/60Hz , Approx 5VA
Certification		

Input

ADC Resolution	10 Bit
Display Resolution	Thermocouple : 1°C RTD :- 1°C / 0.1°C Analog input : 0000/000.0/00.00/0.000 Decimal Point selectable
Sampling Rate	250 mS / Channel

Input Range

Input Type	Range
J	0 to 600°C
K	0 to 1200°C
PT-100	-99 to 400°C
PT.1	-99.9 to 400.0°C
4-20mA DC	-999 to 9999
0-20mA DC	-999 to 9999
0-10V DC	-999 to 9999

Accuracy

J , K , PT-100 , PT.1 , 4-20mA DC, 0-20mA DC, 0-10V DC	± 1 % FSD
CJC error	±3°C
T/C Burnout current	1.10uA
RTD excitation current	0.2mA
CMRR	> 120 db (Typical)
Input Impedance	> 1 M
Max Voltage	20V DC

Display

Display	320 x 240 Px Resistive Touch Screen Display
----------------	---

Power Supply

Standard	24V DC , 50/60Hz
Consumption	Approx 5 VA

Relay Output

Relay	4
Type	1 C/O , NO-C-NC
Rating	5A @ 230V AC/28V DC

Communication(Optional)

Type	RS 485
Protocol	MODBUS RTU
Baud Rate	4800 , 9600 , 19200 , 38400 (Configurable)
Isolation	2500 V _{RMS} Isolation as per UL 1577

Environmental Characteristics

Working Temperature	0 to 55 °C
Storage Temperature	0 to 55 °C
Relative Humidity	95% RH Non-condensing
Warm up time	5 minutes
Ingress Protection	IP 65 (Front Side)

Mechanical Characteristics

Mounting Type	Panel Mount
Dimension (HxWxD) mm	101 x 101 x 71
Panel Cutout (HxW) mm	92 x 92
Material	Body Enclosure
	Polycarbonate (PC) ABS
Terminal Screw Size	M3.5
Screw Torque (N.m)	1
Wire Gauge (AWG)	26-14
Weight (Approx) gms	Unpacked : Packed :
Accessories	1 Pair of Clamps